

Technical data

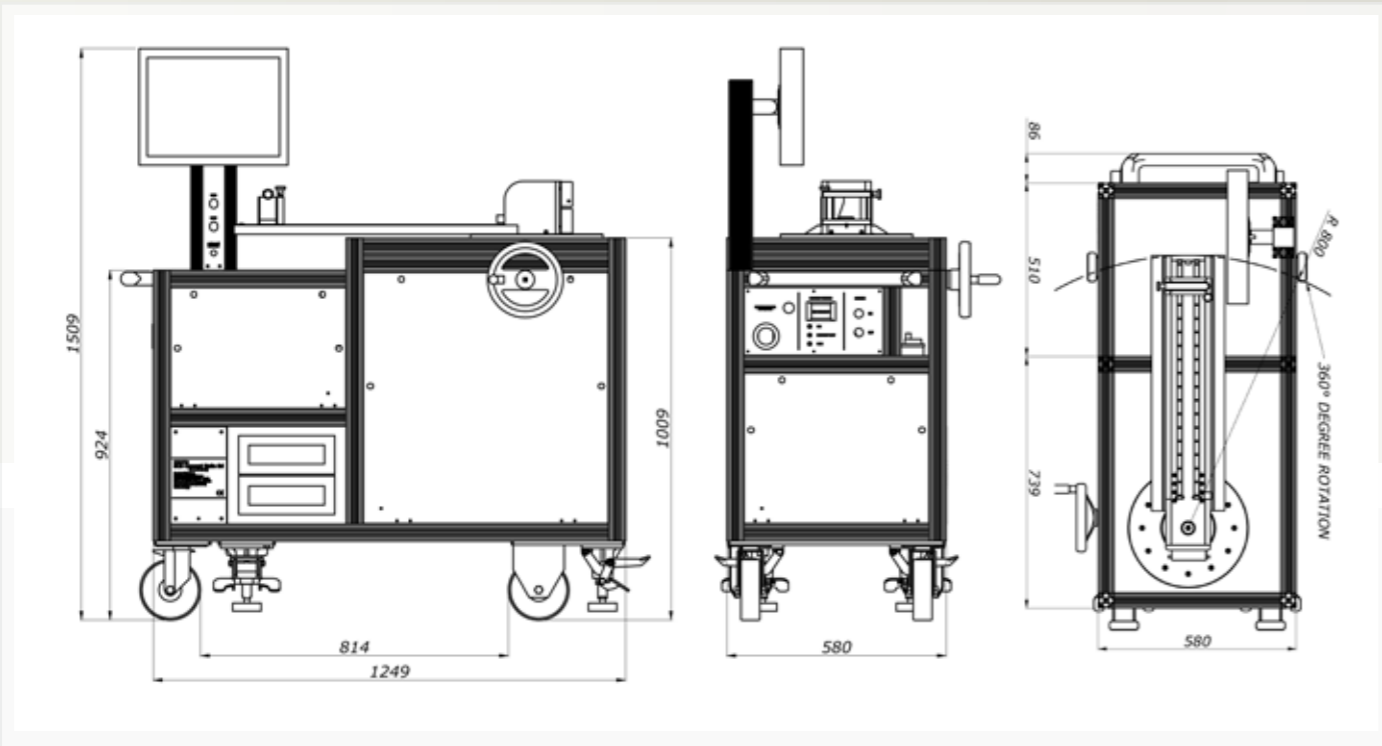
Models: FTA 300 (3 – 300 Nm), FTA 600 (6 – 600 Nm), FTA 1000 (10 – 1000 Nm)

Torque accuracy: 0.5% of measured torque on the full range

Power supply: 220 VAC (optional 110 VAC) Internal batteries for PC power supply

Monitor: Touchscreen 15", resolution 1024x768

Dimensions



Note: the dimensions refer to the bench FTA 30 - 300 Nm For other models (capacity) FTA please contact your local distributor.



SCS Concept Italia srl
Via Po 77
20095 Cormano (MI) Italy
info@scsconcept.eu -
www.scsconcept.eu

Your local distributor



Q-direct GmbH
Zeppelinstr. 2 - 84180 Loiching -
Kronwieden - (Germany)
info@q-direct.eu - www.q-direct.eu

Willing to constantly improve its products, SCS reserves the right to modify the data and technical characteristics described above without notice.

Discover simplicity



FTA

Automatic torque/angle wrench tester



Advanced Tightening Solutions for Quality Control & Production

SCS CONCEPT GROUP



Test of torque/angle wrenches

FTA bench performs Cm-Cmk test of torque wrenches with angle measurement. The test is run automatically.

In the compared test mode, the reference measure from the bench is compared with the wrench measure and interpolated to make the measure objective.

With FTA is possible to set a torque preload value to perform angle verification/calibration test



- Automatic test torque/angle wrenches
- Test according to VDI/VDE 2645 part2, VDI/VDE 2647
- Cm-Cmk measurement on torque and angle
- Torque wrench angle verification
- Models with torque range 3 ÷ 300 Nm, 5 ÷ 500 Nm or 10 ÷ 1000 Nm
- Test of torque wrenches with extensions



Pendant control box for remote control



Test of torque wrenches with extensions

The FTA transducer can be lowered turning the wheel. This makes possible to test the wrench with its extensions, evaluating how the extension bending affects the angle measurement.